

## USER GUIDE

---

# Cable Operated Damper **Model: VCR8EC**

Document #: 01 Revision #: 01 Issue Date:  
© 2013 Price Industries Limited. All rights reserved.

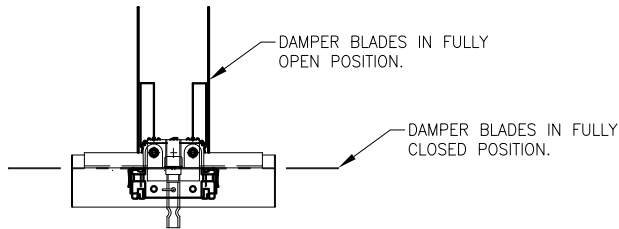
**PRICE**<sup>®</sup>

# CABLE OPERATED DAMPER

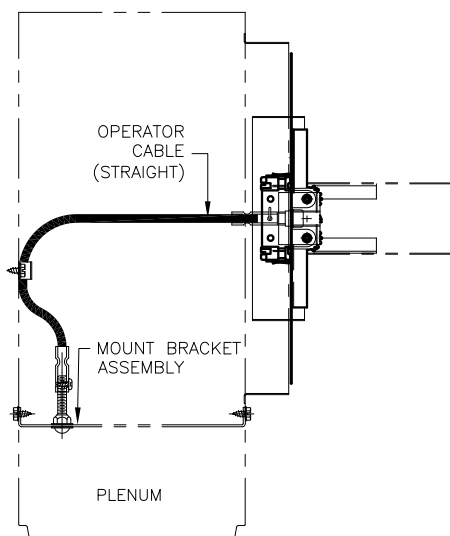
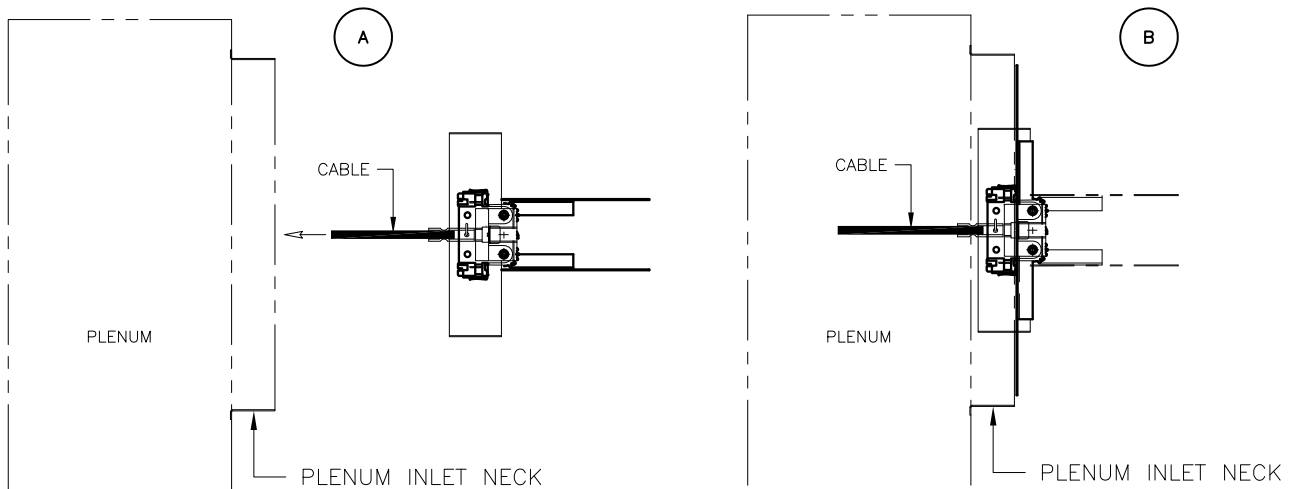
## INSTALLATION INSTRUCTIONS

### HOW TO INSTALL VCR8EC DAMPER ON PLENUM

1. BEFORE INSTALLATION, ADJUST THE DAMPER BLADE TO FULLY OPEN POSITION



2. ONCE THE BLADE IS IN OPEN POSITION, MOUNT DIRECTLY ONTO PLENUM BY CLIPPING TO INLET NECK. BLADES OPEN TO THE UPSTREAM DIRECTION.



3. FASTEN OPERATOR CABLE AT THE BACK OF PANEL. ROUTE CABLE WITH GENTLE BENDS FOR SMOOTH OPERATION. STRAIGHTNESS OF CABLE WILL MAKE THE ADJUSTMENT SMOOTH AND EASY.

4. INSTALL THE MOUNT BRACKET ASSEMBLY LAST. SCREW BRACKET TO PLENUM. NOTE THAT BRACKET MAY BE LOCATED SLIGHTLY OFF CENTER TO ALLOW ACCESS TO ADJUSTMENT SCREW IF DIFFUSER COMPONENTS ARE IN THE WAY.

INSTALLATION INSTRUCTION II00051  
REVISION 0  
OCTOBER 2013



---

This document contains the most current product information as of this printing.  
For the most up-to-date product information, please go to [www.price-hvac.com](http://www.price-hvac.com).

© 2013 Price Industries Limited. All rights reserved.

**price**<sup>®</sup>